

Svanaya Systems Bearings & Parts

Company Overview

Svanaya Systems is a trusted supplier of high-quality industrial power transmission and motion components, specializing in bearings, couplings, chains, belts, and a wide range of related mechanical components. We serve diverse industries including manufacturing, agriculture, mining, construction, and logistics, helping keep critical operations running efficiently. Our extensive product portfolio includes precision bearings, durable roller and conveyor chains, high-performance belts, and flexible couplings, along with complementary components such as sprockets, pulleys, bushings, shafts, seals, lubricants, and maintenance products. Every product we supply is sourced from reputable manufacturers to ensure reliability, durability, and consistent performance in demanding industrial environments. At our core, we are committed to delivering quality products, technical expertise, and dependable service. We don't just supply parts — we build long-term partnerships that help our customers improve efficiency, reduce costs, and achieve operational excellence.

Core Strengths

- Custom chain solutions
- High durability materials
- Precision engineering

Product Catalogue

Svanaya Systems supplies a wide range of industrial bearings designed for high-load capacity and continuous operation. Our product portfolio includes plain bearings, deep groove ball bearings, rolling element bearings, spherical roller bearings, cylindrical roller bearings, tapered roller bearings, needle roller bearings, thrust bearings, and mounted bearing units, along with related accessories used across industries such as power transmission, oil & gas, sugar, cement, mining, and bulk material handling.

Key Features

- Dimensional accuracy
- Durability and wear resistance
- Load performance
- Custom sizes and specifications
- Long operational life

Contact

Svanaya Systems

Website: www.svanayasystems.com

Email: sales@svanayasystems.com

Svanaya Systems Bearings & Parts

Plain Bearings



- Babbitt, bronze, cast iron, carbon, composite

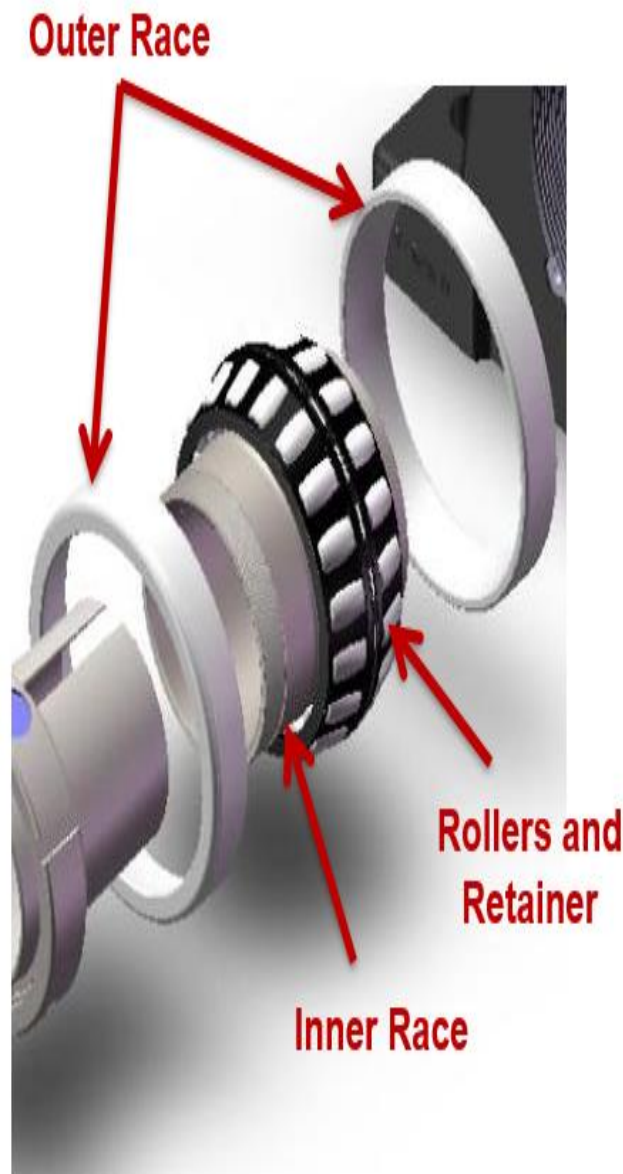
- Low speed, high load, high temperature, oscillating applications



- Radial loads, typically no axial loads

Svanaya Systems Bearings & Parts

Rolling Element Bearings

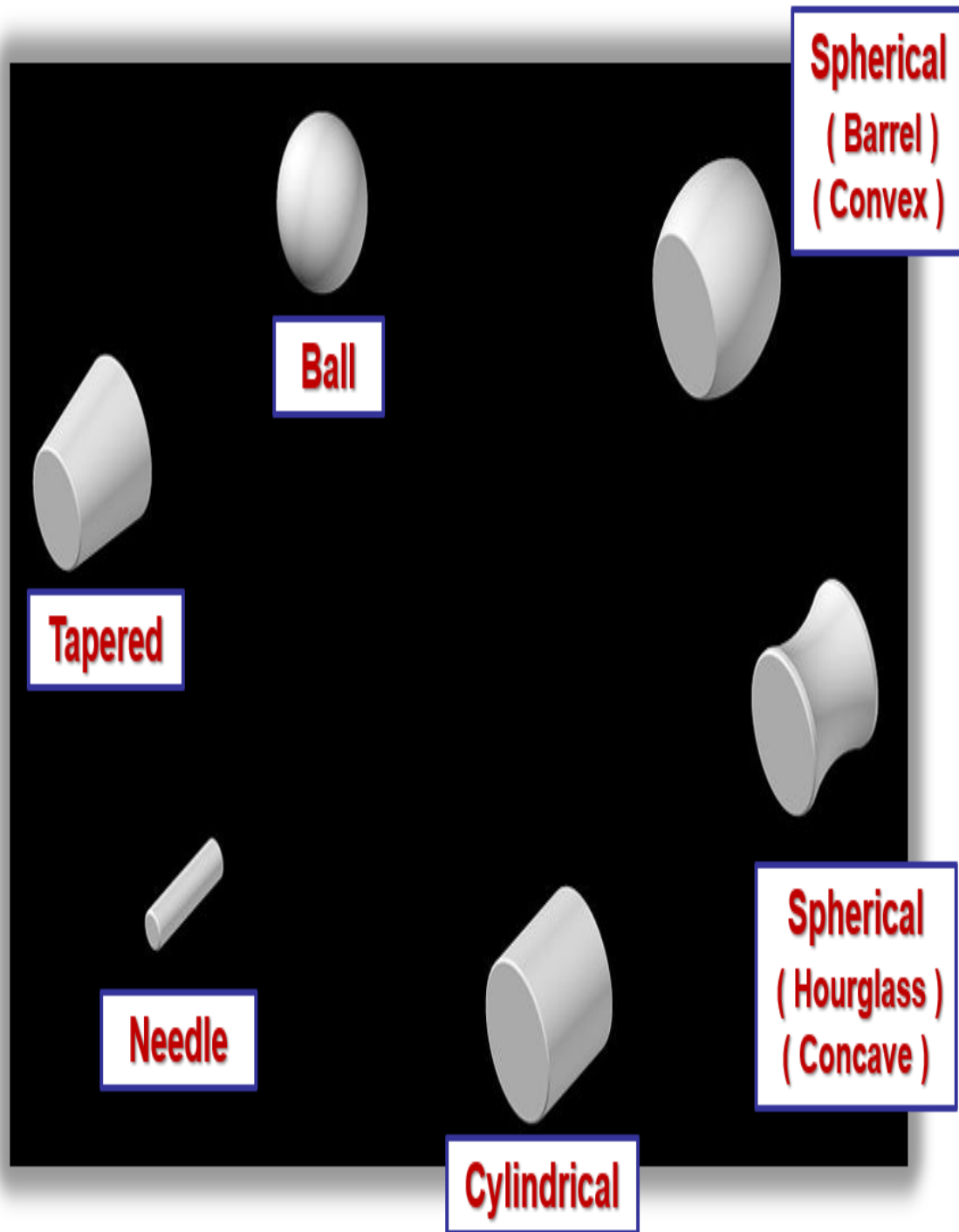


Rolling Element

- Ball
- Spherical Roller
- Cylindrical Roller
- Tapered Roller
- Inner Race / Ring
- Outer Race / Ring
- Retainer (Cage)

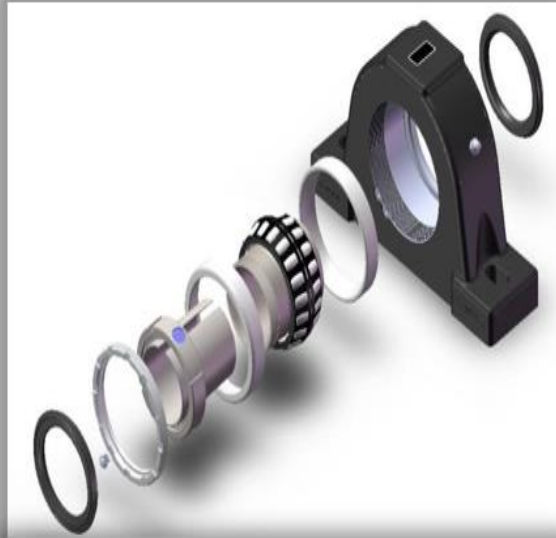
Svanaya Systems Bearings & Parts

Basic Roller Styles



Svanaya Systems Bearings & Parts

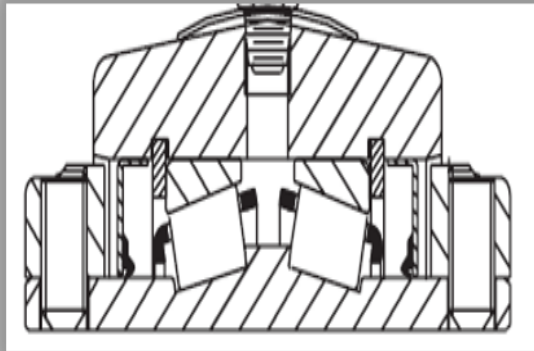
Spherical Roller Bearings



- **Jack-of-all-trades**
- **Fairly high speed**
- **High Loads**
- **Customizable**
- **Sealing Capability**
- **Very good
Dynamic and Static
misalignment**

Svanaya Systems Bearings & Parts

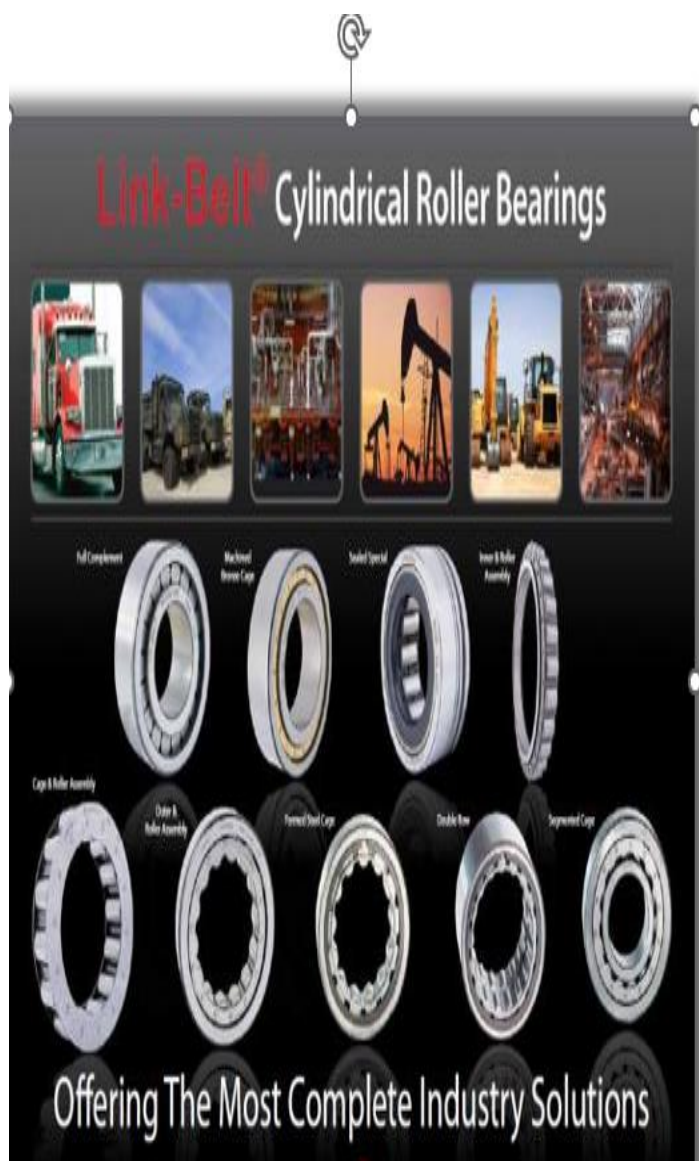
Tapered Roller Bearings



- **High axial & radial loads**
- **Little misalignment**
- **Lower speed**

Svanaya Systems Bearings & Parts

Cylindrical Bearings



- **High radial, limited axial loads**
- **Limited misalignment**

Svanaya Systems Bearings & Parts

Ball Bearings



- **Radial, angular, thrust**
- **High speed, low load**
- **Static misalignment, minimal dynamic misalignment**

Svanaya Systems Bearings & Parts

Housing Styles



**ZA, ZEP, ZP, ZAF, ZLF
PILLOW BLOCK**



**ZN
TAKE UP BLOCK**



**ZT
TAKE UP BLOCK**



**ZBR
FLANGE CARTRIDGE BLOCK**



**ZF
FLANGE BLOCK**



**ZB
FLANGE BLOCK**

Svanaya Systems Bearings & Parts

Take Up Frames



**ZAT
TAKEUP FRAME**



**ZFT
TAKEUP FRAME**



**ZGT
TAKEUP FRAME**



**ZST
TAKEUP FRAME**



**ZHT
TAKEUP FRAME**



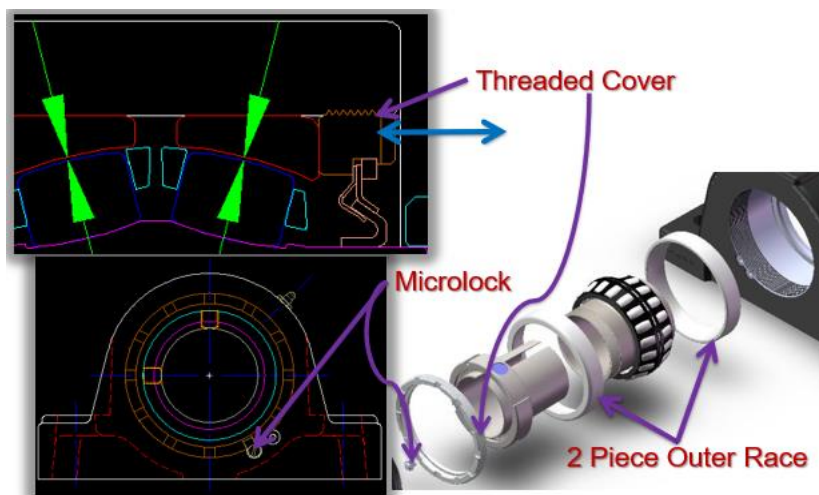
**ZNT
TAKEUP FRAME**

Svanaya Systems Bearings & Parts

Clearance Adjustment

- Allows adjustment for high operating temperatures and **High Speeds**
- Can minimize shaft movement
- Can reduce noise in VIBRATORY applications
- Reduce damage caused by shock loads

ADJUSTMENT TABLE (AXIAL AND RADIAL CLEARANCES) 2000, 3000, 5000 SERIES												
Size Code	SHAFT SIZE (INCHES)			STANDARD FACTORY ADJUSTMENT (Average Speed and Temperature)			RECOMMENDED ADJUSTMENT HIGH SPEEDS				CLEARANCE ADJUSTMENT INCHES PER 15 DEGREES	
	2000 SERIES	3000 SERIES	5000 SERIES	STANDARD DEGREES ADJUST.	STANDARD RADIAL CLEARANCE	STANDARD AXIAL CLEARANCE	SPEED OVER	HIGH SPEED DEGREES ADJUST.	HIGH SPEED RADIAL CLEARANCE	HIGH SPEED AXIAL CLEARANCE	RADIAL	AXIAL
2	3/4-1			45	.0022-.0028	.0068-.0086	2000	55	.0026-.0034	.0086-.0105	.0008	.0026
3	1 1/8-1 1/4			50	.0024-.0030	.0078-.0096	2000	60	.0030-.0036	.0098-.0117	.0008	.0026
4	1 7/16-1 1/2	1 7/16	1 7/16	55	.0025-.0031	.0088-.0109	2000	65	.0031-.0037	.0110-.0130	.0008	.0027
5	1 11/16-1 3/4	1 11/16	1 1/2-1 11/16	60	.0029-.0037	.0101-.0128	1500	70	.0037-.0045	.0128-.0156	.0008	.0029
6	1 15/16-2	1 15/16	1 15/16	85	.0033-.0041	.0127-.0157	1500	105	.0041-.0049	.0157-.0188	.0007	.0025
7	2 3/16-2 1/4	2 3/16	2-2 3/16	60	.0031-.0039	.0119-.0149	1250	75	.0039-.0047	.0150-.0180	.0009	.0034
8	2 3/8-2 1/2	2 7/16-2 1/2	2 7/16	65	.0032-.0040	.0131-.0163	1250	80	.0040-.0048	.0163-.0196	.0008	.0034
9	2 11/16-3	2 11/16-2 15/16	2 1/2-2 15/16	80	.0040-.0052	.0163-.0211	1250	100	.0052-.0064	.0211-.0259	.0009	.0035
10	3 3/16-3 1/2	3 7/16-3 1/2	3 3/16-3 7/16	100	.0050-.0064	.0201-.0257	1000	125	.0064-.0076	.0257-.0304	.0009	.0034
11	3 11/16-4	3 15/16	3 11/16-4	120	.0056-.0072	.0239-.0306	1000	150	.0072-.0088	.0306-.0373	.0008	.0034
12			4 3/16-4 1/2	80	.0056-.0075	.0241-.0306	750	100	.0075-.0091	.0306-.0371	.0013	.0051
13			4 15/16-5	90	.0069-.0087	.0268-.0362	750	115	.0087-.0105	.0362-.0436	.0013	.0054
14			5 7/16	90	.0075-.0094	.0305-.0381	500	120	.0094-.0113	.0381-.0467	.0014	.0057
15			5 15/16-6	120	.0087-.0110	.0380-.0479	500	150	.0110-.0133	.0480-.0578	.0012	.0054
16			6 7/16-7	150	.0094-.0122	.0439-.0568	500	180	.0122-.0150	.0569-.0697	.0011	.0050



Svanaya Systems Bearings & Parts

Components

